

- Pulling Rod Type
- Mini design for limited space
- Ø 19 Section, Standard 10-250 mm
- Anodised Aluminium Housing
- Long Life, High Resolution
- Excellent Repeatability
- Three mounting methods



This mini position transducer is designed for direct absolute measurement and available in stroke length up to 250 mm. The mini design is suitable for mounting in instruments or machines with limited space. An improved technique for making a connection to the resistance track (Double Trimming Technique) ensures the higher degrees of reliability and linearity, while multi-fingers wipers stabilize output signals, even in the most adverse working conditions.

There are three ways of mountings to suit different applications:

- The PZ34S can be mounted by two adjustable brackets
- The PZ34A can be mounted by self-aligning ball joints
- The PZ34F can be flange mounted

Specifications

Mechanical	
Typical Life Cycle	> 100 x 10 ⁶ cycles, > 25 x 10 ⁶ m
Stroke	10 - 250 mm
Linearity up to	± 0.05 %
High Resolution	Infinite
Repeatability	± 0.01 mm
Max. operating speed	5 m/s
Environmental	
Housing	Anodised Aluminium Housing
Operating Temperature	-30... +100° C
Storage Temperature	-50...+120° C
Vibration	IEC 68-2-6:1982 10g
Shock	IEC 68-2-29:1968 40g
Rating	IP60, optional IP65
Misc	Fuse Protected optional

Electrical	
Current resistance	≤ 10mA
Current wiper	≤ 1 mA
Operating Force	≤ 0.5N (IP60) ≤ 5N (IP65)
Power Consumption	3W - 10W
Output Smoothness	<± 0.1% against input voltage
Input Voltage	60 V max
Insulation Voltage	500V - 1min Residue < 5 µ A

Ordering information

(Please use the characters in the chart below to construct your product code)

Sample Code: **PZ34 - S - 250 - P - 3M**

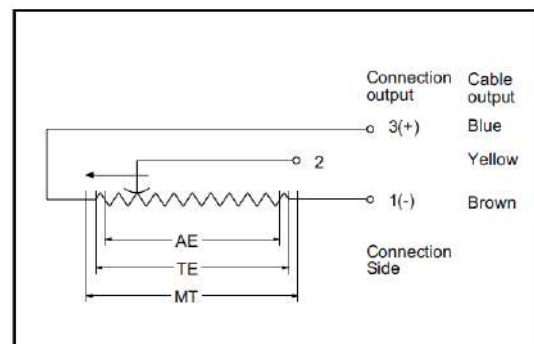
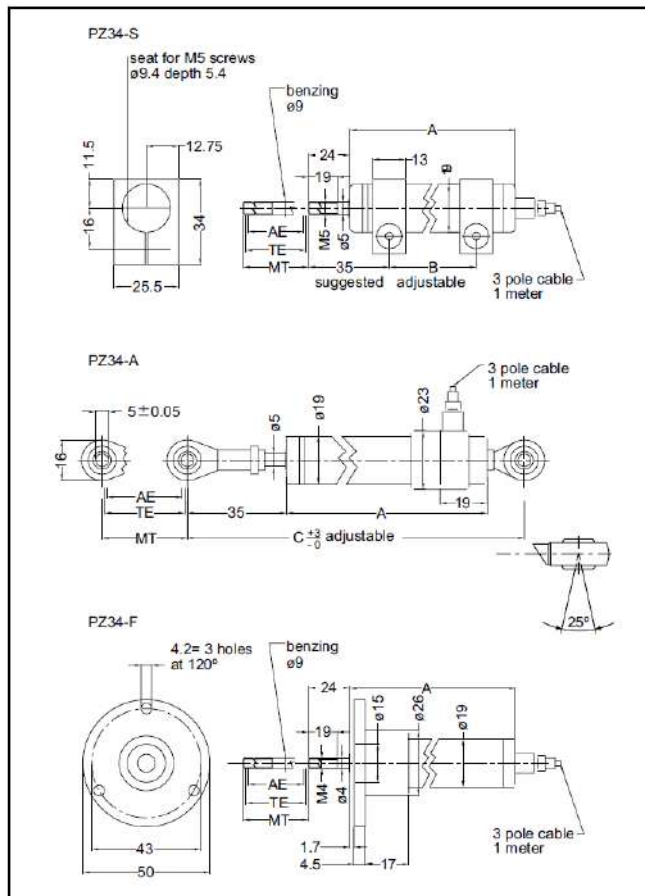
Series	Mounting type	Length	Rating	Cable length
PZ34	S - Mounting by brackets	10 125	P = Water Proof IP65 S = Standard IP60	blank = 1 m standard cable 3M = 3 m screened cable
	A - Mounting by selfaligning ball-joints	25 150		
	F - Mounting by flange	50 200		
	FS - Cable	75 250		
		100		

Ordering information cont.

PZ34 series		10	25	50	75	100	125	150	200	250
Total Electrical Travel (T.E)	mm	11	26	51	76	101	126	151	201	251
Active Electrical Travel (A.E)	mm	10	25	50	75	100	125	150	200	250
Resistance $\pm 20\%$	k Ω	1	1	2	3	4	5	5	8	10
Independent Linearity	$\pm\%$	0.3	0.2	0.1	0.1	0.1	0.05	0.05	0.05	0.05
Mechanical Travel (M.T)	mm	15	30	55	80	105	130	155	205	255
Resolution		infinite								
Recommended Cursor Current	μA	< 1								
Temperature Range	$^{\circ}\text{C}$	-30 to +100								
Dimensions (A) PZ34-S	mm	68.5	83.5	108.5	133.5	158.5	183.5	208.5	258.5	308.5
Dimensions (A) PZ34-A	mm	95	110	135	160	185	210	235	285	335
Dimensions (A) PZ34-F	mm	68.5	83.5	108.5	133.5	158.5	183.5	208.5	258.5	308.5
Dimensions (B)	mm	32	47	72	97	122	147	172	222	272
Dimensions (C)	mm	148	163	188	213	238	263	288	338	388
Net Weight PZ34-S	gm	70	90	105	130	160	175	190	215	245
Net Weight PZ34-A	gm	90	110	125	150	180	195	210	235	260
Net Weight PZ34-F	gm	80	100	115	140	170	185	200	225	255

* Dimensions for reference only

Dimensions and Electrical connections



PITCH TECHNOLOGIES
 Votre distributeur agr e en France
 01 34 85 54 68
<https://pitch-technologies.fr>
info@pitch-technologies.fr