

Euro XPK Puck Type Programmable Sensor



- Puck and magnet design
- Hall Effect non-contacting technology
- Long life - extremely robust
- Programmable angles from 30° up to 360°
- IP68 protection
- Redundant output



Based on the well proven 28 mm diameter Euro-XP angle sensor, the puck option is a two piece design with a separate magnet. With redundant output this compact and fully non-contacting Hall Effect sensor features IP68 sealing and will suit arduous high-duty cycle position feedback applications.

Specifications

Mechanical

Typical Life Cycle	In excess of 100 million cycles
Measuring range	360° redundant, signal 1 cw, signal 2 ccw
Housing	High grade temperature resistant plastic

Environmental

Operating temperature	-40° C to +125° C (Short term 150° C)
Vibration	5...2000 Hz; Amax = 0.75 mm; amax = 20g to IEC 60068-2-6
IP rating	IP68 (minimum)

Electrical

Supply Voltage	5V +/- 0.5V
Output signal	Ratiometric 5%...95% of supply (+/-25mv of specified electrical output range for both start & end voltage)
Independent linearity	+/- 0.5% of each signal range
Sample Rate (Fast Mode)	5 kHz
System Propagation Delay (Fast Mode)	600 µs
Isolation resistance	200 MΩ (500 VDC, 1 bar, 2s)
Electrical connection	See ordering code/wiring diagram
Cable type	Raychem Spec 55, 24 AWG; Sleaving - Raychem DR25

PITCH TECHNOLOGIES

Votre contact VARIOHM en France

01 34 85 54 68
<https://pitch-technologies.fr>
info@pitch-technologies.fr

Ordering information

(Please use the characters in the chart below to construct your product code)

Sample Code: **Euro-XPK - 2838 - 8xx - 214 - 911 - 00***

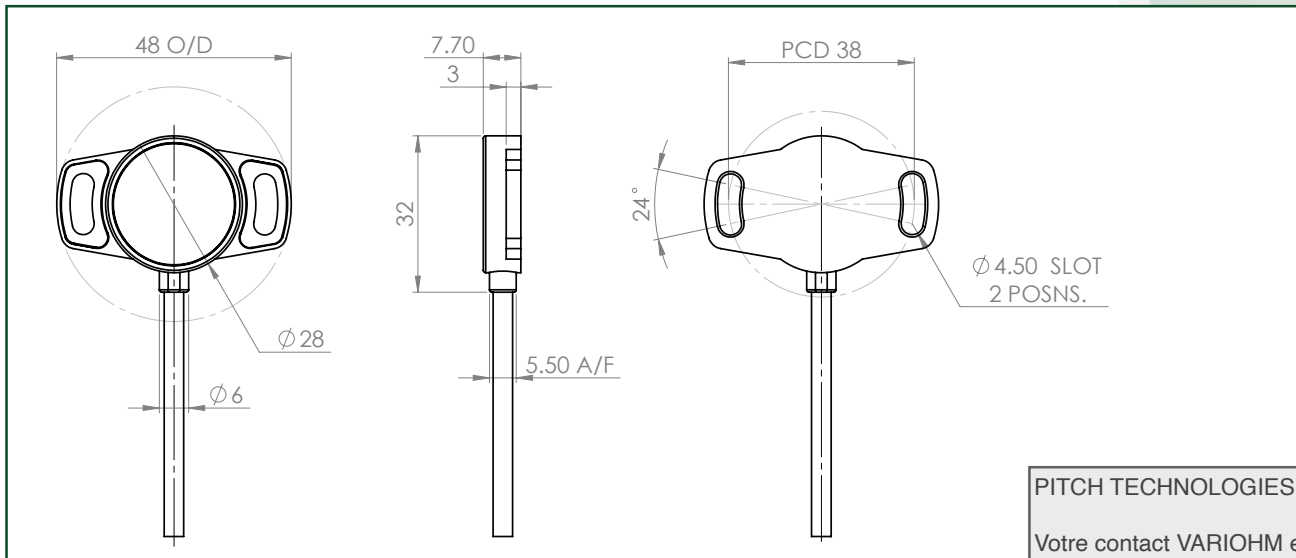
Series	Mechanical version	Electrical Angle	Power supply voltage Output signal Output characteristics	Electrical Connection Cable Length	Magnet choice
Euro-XPK	38 - Separate puck and magnet design	36 = Standard electrical angle 360° xx = Optional angle - from 30° to 360° in 10° steps (eg. 08 = 80°)	214 = Supply 5VDC; Ratiometric output, 5% to 95% of supply V* * +/-25mv of specified electrical output range for both start & end voltage	911 = Raychem Spec 55, 24 AWG; Sleaving - Raychem DR25 XL ETFE: Ø = 0.94mm; 0.24 mm²; L = 500 mm (+/- 10mm)	00 = no magnet 01 = Small Magnet 02 = Screw Magnet 03 = Large Magnet 04 = Plug Magnet

Note* - Magnet options 01, 02, 03 or 04 are selected in the ordering code and a single magnet is included. Additional or alternative magnets can be ordered separately as spare parts using the following codes:
 93816 - XPK Small Magnet-01
 93817 - XPK M10 Magnet-02
 93818 - XPK Large Magnet-03
 94031 - XPK Plug Magnet-04
 Un-housed magnets do not have polarity marked but can be marked if requested
 Custom magnet housings are available

Custom options available on request



Euro XPK - dimensions in mm



PITCH TECHNOLOGIES
 Votre contact VARIOHM en France
 ☎ 01 34 85 54 68
 🌐 <https://pitch-technologies.fr>
 ✉ info@pitch-technologies.fr

Magnet options - dimensions in mm

Small magnet -01

Large magnet -03

M10 magnet -02

Plug magnet -04

Magnet type	Distance from XPK Face
M10 Screw Magnet	0 - 4.5 mm
Small Magnet	0 - 2 mm
Large Magnet	0 - 5 mm
Plug Magnet	0 - 4.5 mm

Notes for magnets: Maximum permitted radial offset = +/- 1 mm

Wiring and orientation

